

White based 3mm LEDs

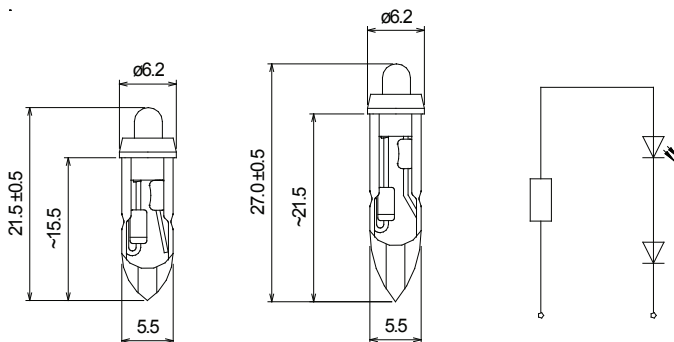
T5,5K / T5,5L

- easy replacement of T5,5K / T5,5L filament bulbs
- other colour and voltage on request
- RoHS compliant



Part Number	Emitted colour	Electro-optical characteristics Ta = 25°C / 20mA				CIE	Epoxy
		Voltage U[V]	mcd min	mcd max	Directivity 2Θ½		
Short Body 15.5mm							
T5,5K-W37NBVWB03	white	12V	9480	18960	20°	0.31/0.32	clear
T5,5K-W36NBVWB03	white	12V	4610	9220	50°	0.31/0.32	clear
T5,5K-W32NBVWB03	white	12V	2520	5040	60°	0.31/0.32	diffused
T5,5K-W37NBVWM03	white	24V*	9480	18960	20°	0.31/0.32	clear
T5,5K-W36NBVWM03	white	24V*	4610	9220	50°	0.31/0.32	clear
T5,5K-W32NBVWM03	white	24V*	2520	5040	60°	0.31/0.32	diffused
Long Body 21.5mm							
T5,5L-W37NBVWB03	white	12V	9480	18960	20°	0.31/0.32	clear
T5,5L-W36NBVWB03	white	12V	4610	9220	50°	0.31/0.32	clear
T5,5L-W32NBVWB03	white	12V	2520	5040	60°	0.31/0.32	diffused
T5,5L-W37NBVWB03	white	24V	9480	18960	20°	0.31/0.32	clear
T5,5L-W36NBVWB03	white	24V	4610	9220	50°	0.31/0.32	clear
T5,5L-W32NBVWB03	white	24V	2520	5040	60°	0.31/0.32	diffused

* I_F = 16mA



Sloan_02_GK_BasedLED_14A

1. All dimensions are in millimetres
2. Tolerance is ±0.25mm unless otherwise specified
3. Specifications are subject to change without notice