

12V Channel Letters

(2835)

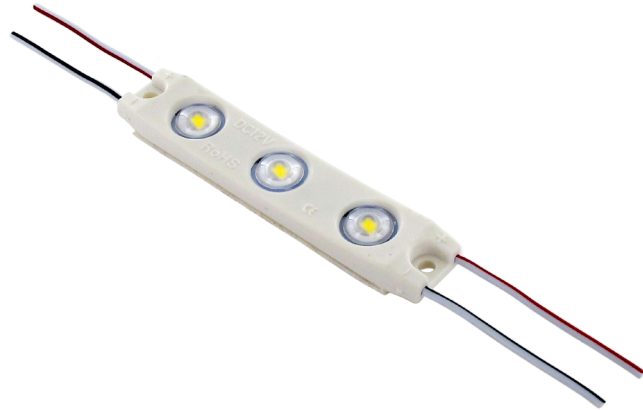
Specifications

Voltage	12V
Current	0.06A
Wattage	0.72W
Operating Temperature	-20°~+50°C
Storage Temperature	-20°~+70°C
Viewing Angle	160° (single colour)
CRI	75

CE/RoHS compliant

Benefits

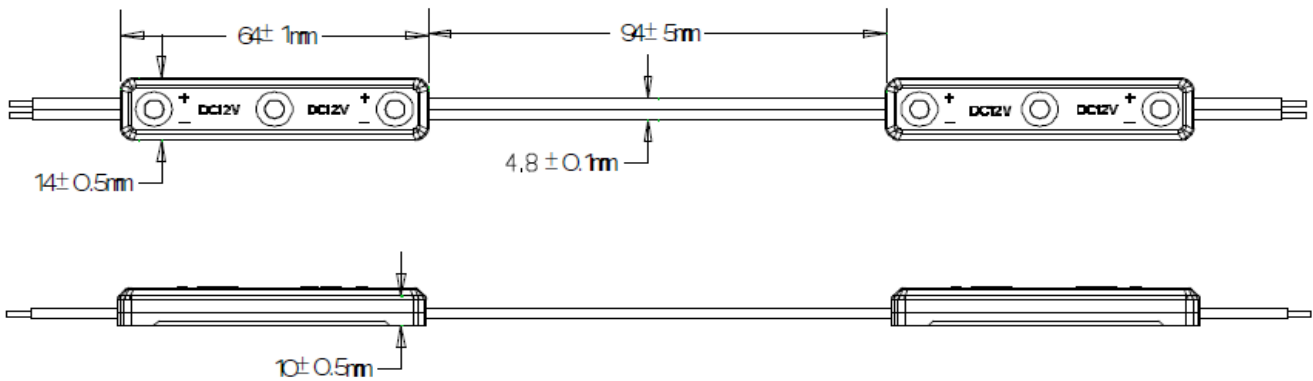
IP65 Protection
easy cutting between every module
Adhesive tape on backside
cascade quantity up to 60 pcs



Electrical and Optical Characteristics (Ta=25°C)

Part Number	Colour	Wavelength / CCT	Intensity lm per unit (typ.)	EEC
CLP3-N01B-01	 warm-white	3000-3500°K	97	A++
CLP3-W01B-01	 white	6000-7000°K	64	A++

Dimensions



Thickness: 6.6 mm

Sloan_03_GK_LED-Modules_18A

1. All dimensions are in millimetres
2. Tolerance is ± 0.50 mm unless otherwise specified
3. Specifications are subject to change without notice